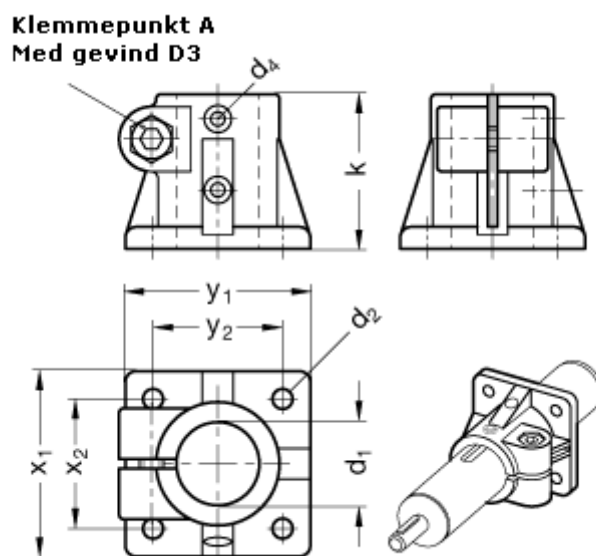


Article number: 201631G302SW

Description: E+G Flanged linear actuator
GN163.1-G30-2-SW

Measures



d1 = G30	y2 = 42
d2 = 6,5	
d3 = M 8	
d4 = M 4	
k = 50	
x1 = 60	
x2 = 42	
y1 = 60	